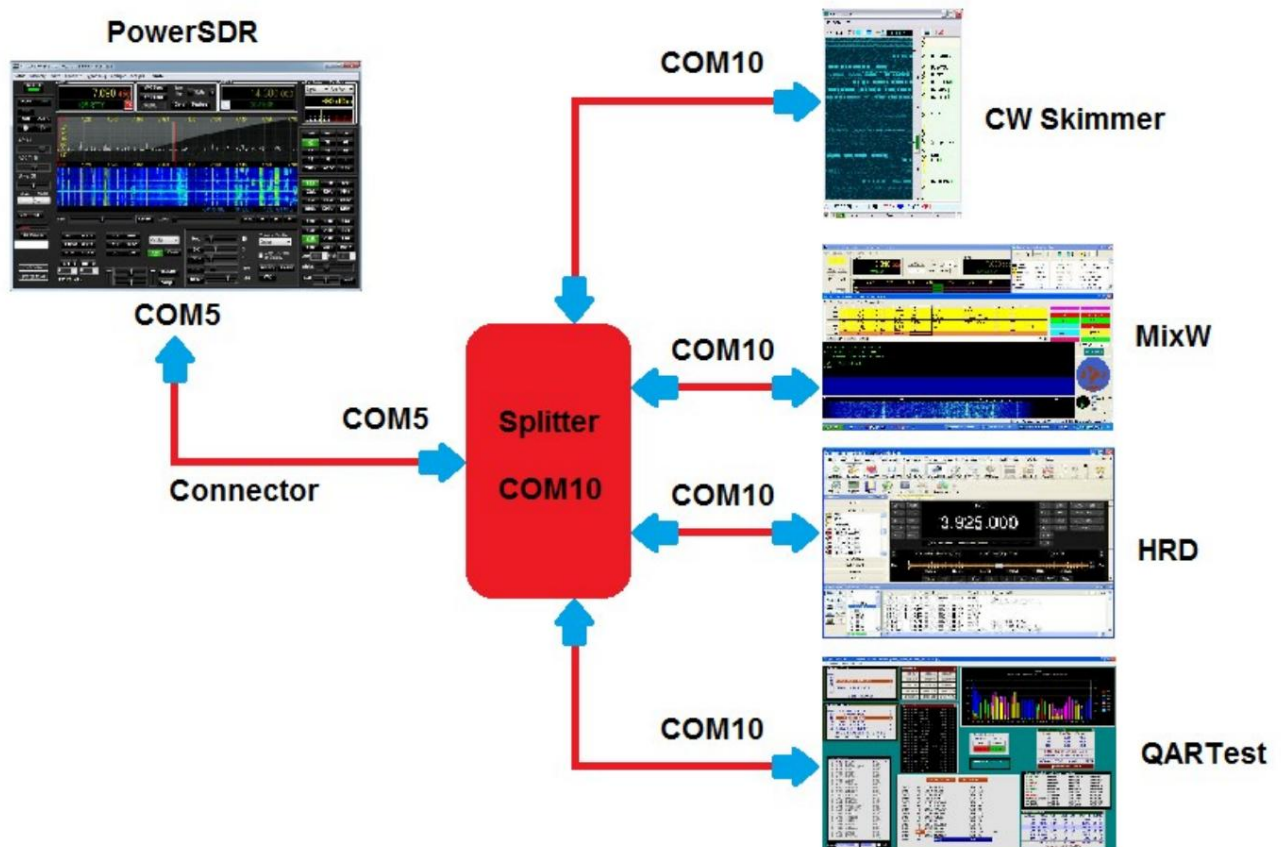


# CONNECT VSPE TO REAL SERIAL PORTS

Written by IZ0GIF - Mimmo

Taking an example from my previous article on how to split virtual serial ports to make them available to multiple software, let's see how to connect a virtual serial port to a real serial port, for example COM1 (for those who still have one) physically on the back of our PC.

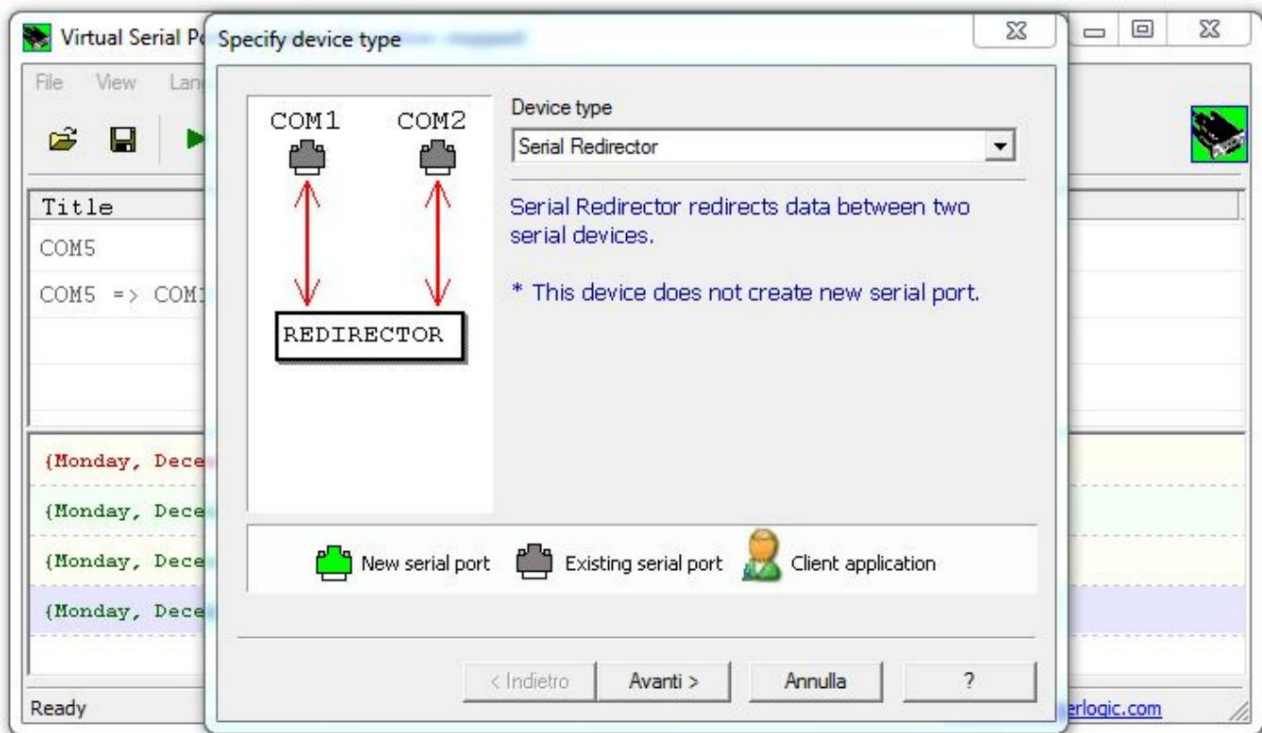


Our situation is as follows. PowerSDR is connected via COM5 to the COM10 SPLITTER. We want to connect a linear amplifier and control it via CAT5 through COM1. How do we do this?

We need to redirect COM10 to COM1.

**- Let's create a SERIAL RE-ADDRESSER**

**Go to Device - Create and select Serial Redirector.**

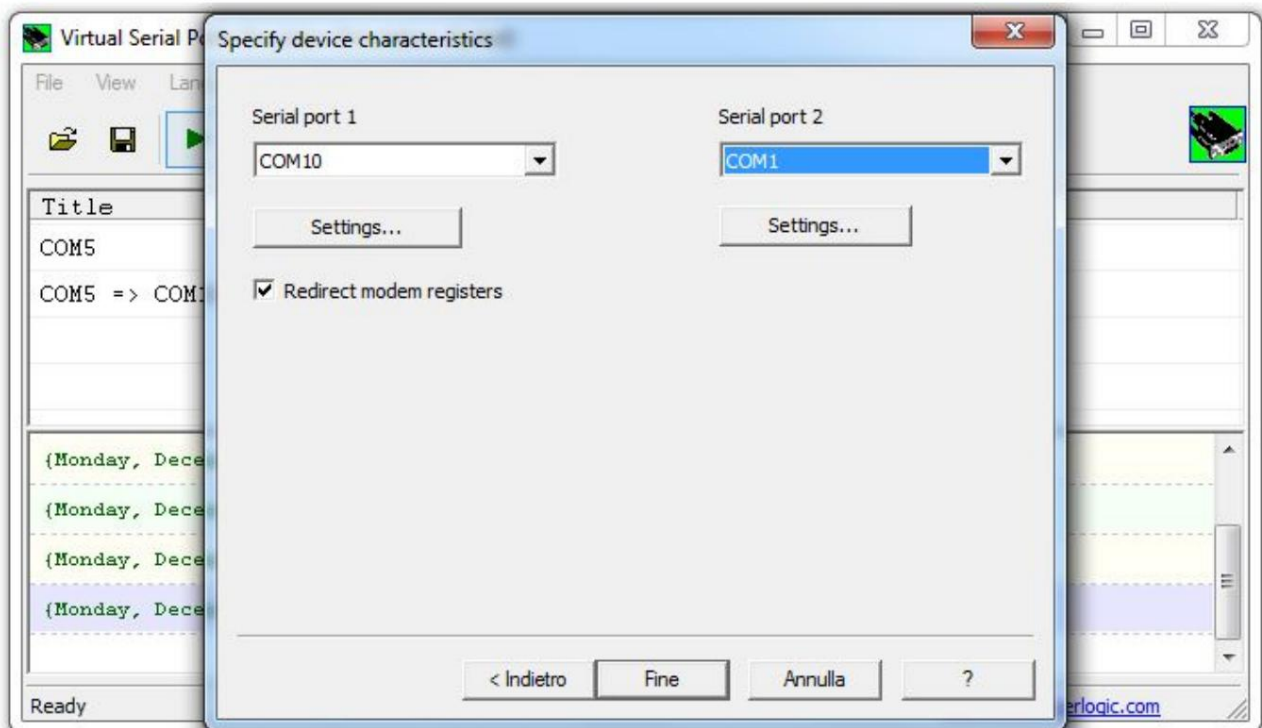


**Click Next.**

**In Serial port 1 select COM10;**

**in Serial port 2 select the real serial port COM1.**

**In Settings, select the Baud Rate so that it is compatible with other applications.**



**Click Finish to confirm.**

At this point we can connect our amplifier via CAT through the COM1 port on the back of our PC, using a simple cable.

